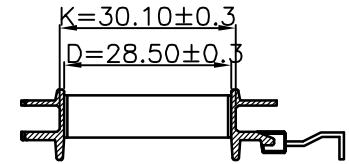
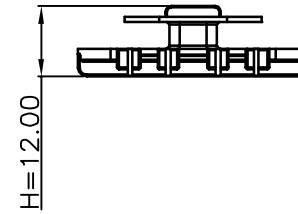
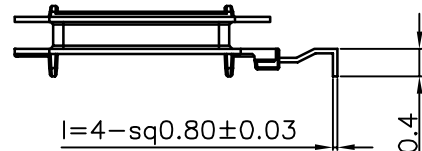
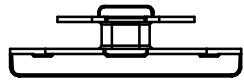
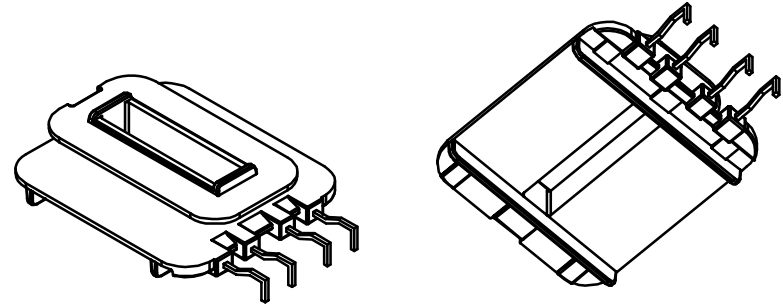
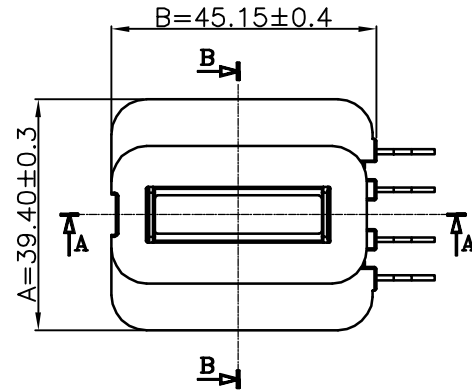
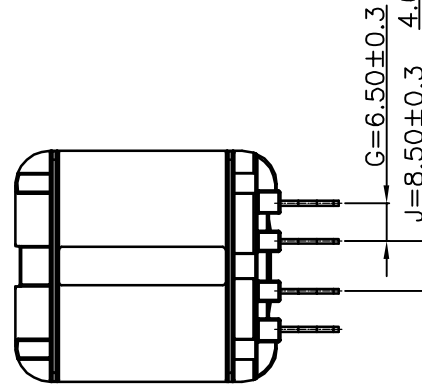


SECTION B-B



SECTION A-A



▲							
▲							
▲							
▲							
MARK	REVISION NOTE			DATE	DRAWN	CHECKED	APPROVED
DRAWN	CHECKED	APPROVED	MATERIAL : PHENOL	UL REC. : UL94V-0	THIRD ANGLE PROJ.	SCALE : 1/1	
GM, Jeon	IM, Seo	C, Park		DATE : 2014.10.23	TOLERANCE : ±0.2 (Unless otherwise specified)		UNIT : m/m
주식회사 대흥보빈 DAE HEUNG BOBBIN CO., LTD			TITLE EE 48*13 "V" (4P) HOOK		DWG NO DH-141231-2068-13		